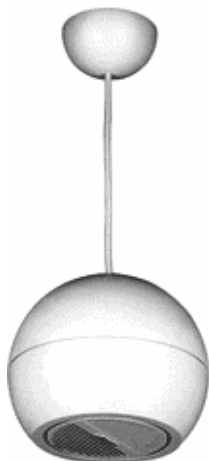


# DSP 107 8W-30W ABS Sound Projector



## Features

- Elegant Design, 70/100V, 8-30W, with multiple terminals
- Max SPL: 102±2dB
- Built-in 100v/70v transformer
- Wide Freq.Resp.:110Hz-18kHz
- High sensitivity: 91±2dB
- Hanging style and the suspensory is adjustable
- Made of high quality industrial plastic

## Description

The DSP107 is a sound projector with a 70v/100v transformer built in. The 70v/100v transmission is realized in a high-voltage, low-current mode, which makes longer distance transmission and parallel connection of multiple loudspeakers possible.

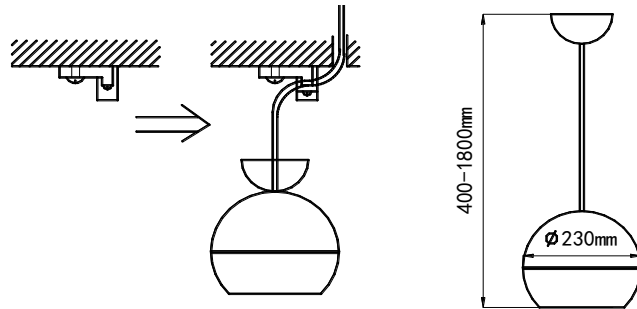
This speaker is designed of wide frequency response (110-18,000Hz); It is made of high quality industrial plastic, light weight, with long-term durability, and will never be out of shape or fade; Hanging style and the suspensory is adjustable; Driver surround excellent damping, long life, clear and sonorous sounds.

It can be applied to different occasions vary in area sizes and background noises, such as station, park, school, square, military camp, industrial park, etc.

## Specification

MODEL	DSP107
Rated Power	8-30W
Line Voltage	70/100V
Sensitivity(1M,1W)	91±2dB
Max SPL(1M)	102±2dB
Freq. Resp	110Hz-18kHz
Weight	2kg

**Dimension & Installation**



**Installation**

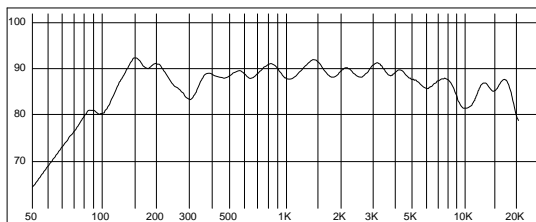
1. Fit the clasp on ceiling where installation is needed;
2. Pull the semicircle cap as shown in the left figure above. let the suspension wire penetrate through the clasp and adjust its length, then screw tight the clasp;

Power Terminals	Line Voltage	70V	100V
Red--- Blue		8W	15W
Red --- White		15W	30W

3. Push the semicircle cap up to cover the clasp
4. Finally, examine whether it is steady.

**FREQ. RESPONSE**

(dB SPL、1W、1m)



**DISTORTION**

(THD< 1.5% 1W、1m、100Hz~10kHz)

